

## Bimetal thermometer

for domestic and industrial heating



### Description

The measuring element of the bimetal thermometer is a quick reacting bimetal coil. It is manufactured from two cold-welded metal strips with different thermal expansion coefficients and rotates in proportion to temperature. The rotary movement is conveyed to the pointer with low friction.

A clip-on thermometer with strap and a version with eccentric connection with low immersion depth are available for special measuring jobs.

### Features

- o Inexpensive solution to measuring problems
- o Clip-on thermometer with strap for pipe installation
- o Eccentric version with low immersion depth
- o Thermowell (brass)

### Ranges

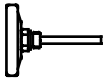

0 ... 60 °C to 0 ... 160 °C  
20 ... 100 °C

### Applications

Heating systems  
Solar heating systems

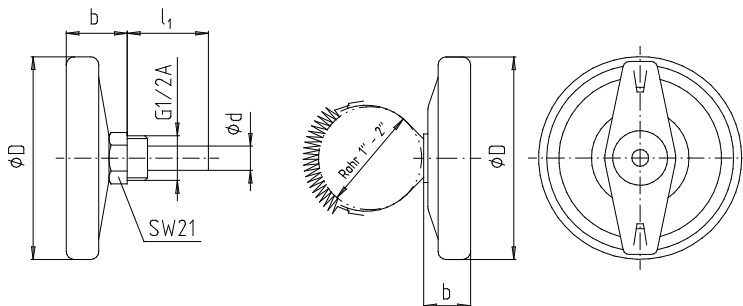
**Model: T4321, T4331, T4341,  
T4351, T4329, T4339**

## Technical data

Models	T4321	T4331	T4341	T4351	T4329	T4339	Optionen
Nominal size	63	80	100	160	63	80	
Symbol							
Display ranges and scale spacing	0 ... 60 °C 1 °C 0 ... 120 °C 2 °C 0 ... 160 °C						
Scale angle	aprox.. 270 °						
Application	full scale value						
Permissible operating pressure at thermowell	max. 6 bar				---		
Measuring element	Bimetal coil				Bimetal spiral		
Display correction	at plain stem end				---		
Case	Steel						
Connection	back, central				Clip-on design		
-design	Thermowell G ½ A detachable, fixed <sup>1)</sup>				with mounting spring		
-dimensions	l <sub>1</sub> = 40, 60, 100, 160, 200 mm						
-material	Copper alloy						
Window	Acrylic glass						
Dial	Aluminium white, scale and lettering black						
Pointer	Aluminium, black						
Weight (kg)	0.07	0.08	0.13	0.28	0.04	0.06	

<sup>1)</sup> with locking screw, l<sub>1</sub> ≥ 160 mm or display range 0..160°C

## Dimensions



Model T4320 - T4351

Model T4329, T4339

Model	Maße in mm			
	NG	b	l <sub>1</sub>	d
T4329	63	21	----	----
T4339	80	22	----	----
T4321	63	22	see technical data table	12 <sup>1)</sup>
T4331	80	23		
T4341	100	24		
T4351	160	32		

### Order details

1. Model
2. Display range
3. Length l<sub>1</sub>

<sup>1)</sup> l<sub>1</sub> = 100 mm    d = dia. 11 mm

Modifications reserved